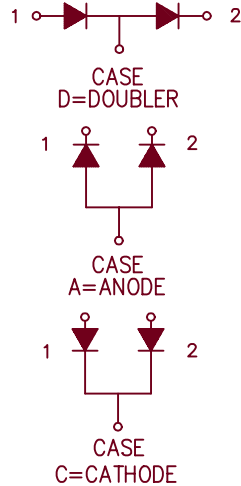
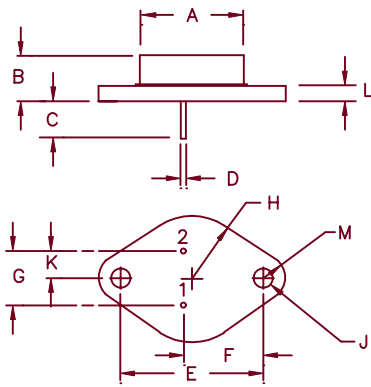


Schottky Rectifier

SBT6040 — SBT6050



Dim.	Inches		Millimeter		Notes
	Minimum	Maximum	Minimum	Maximum	
A	—	.875	—	22.23	Dia.
B	.250	.450	6.35	11.43	
C	.435	—	11.05	—	
D	.057	.065	1.45	1.65	Dia.
E	1.177	1.197	29.90	30.40	
F	.655	.675	16.64	17.15	
G	.420	.440	10.67	11.18	
H	—	.525	—	13.34	Rad.
J	.151	.161	3.84	4.09	Dia.
K	.205	.225	5.21	5.72	
L	—	.135	—	3.43	
M	—	.180	—	4.57	Rad.

TO-204AE (LARGE PIN TO-3)

Microsemi Catalog Number	Working Peak Reverse Voltage	Repetitive Peak Reverse Voltage
SBT6040*	40V	40V
SBT6045*	45V	45V
SBT6050*	50V	50V

*Add D, C, or A

- Schottky Barrier Rectifier
- Guard Ring Protection
- 175°C Operation
- VRRM — 40 to 50V
- 60 Amperes
- Reverse Energy Tested

Electrical Characteristics Per Leg

Average forward current per leg	$I_F(AV)$ 30 Amps	$T_C = 147^\circ C$, square wave, $R_{\theta JC} = 1.2^\circ C/W$
Average forward current per leg	$I_F(AV)$ 30 Amps	$T_C = 130^\circ C$, square wave, $R_{\theta JC} = 2.0^\circ C/W$
Maximum surge current	I_{FSM} 600 Amps	8.3 ms, half sine $T_J = 175^\circ C$
Max repetitive peak reverse current	$I_{R(OV)}$ 2 Amps	$f = 1$ KHz, $25^\circ C$, 1 μ sec square wave
Max peak forward voltage	V_{FM} .55 Volts	$I_{FM} = 30A$: $T_J = 175^\circ C^*$
Max peak forward voltage	V_{FM} .68 Volts	$I_{FM} = 30A$: $T_J = 25^\circ C^*$
Max peak reverse current	I_{RM} 15 mA	V_{RRM} , $T_J = 125^\circ C^*$
Max peak reverse current	I_{RM} 1.2 mA	V_{RRM} , $T_J = 25^\circ C$
Typical junction capacitance per leg	C_J 1800 pF	$V_R = 5.0V$, $T_J = 25^\circ C$

*Pulse test: Pulse width 300 μ sec, Duty cycle 2%

Thermal and Mechanical Characteristics

Operating junction temp range	T_{SG}	$-65^\circ C$ to $175^\circ C$
Storage temp range	T_J	$-65^\circ C$ to $175^\circ C$
Maximum thermal resistance (standard polarity)	$R_{\theta JC}$	$1.2^\circ C/W$ Junction to case
Maximum thermal resistance (reverse polarity)	$R_{\theta JC}$	$2.0^\circ C/W$ Junction to case
Typical thermal resistance (greased)	$R_{\theta CS}$	$0.5^\circ C/W$ Case to sink
Weight		1.0 ounces (28 grams) typical

5-2-00 Rev. 1

SBT6040 — SBT6050

Figure 1
Typical Forward Characteristics

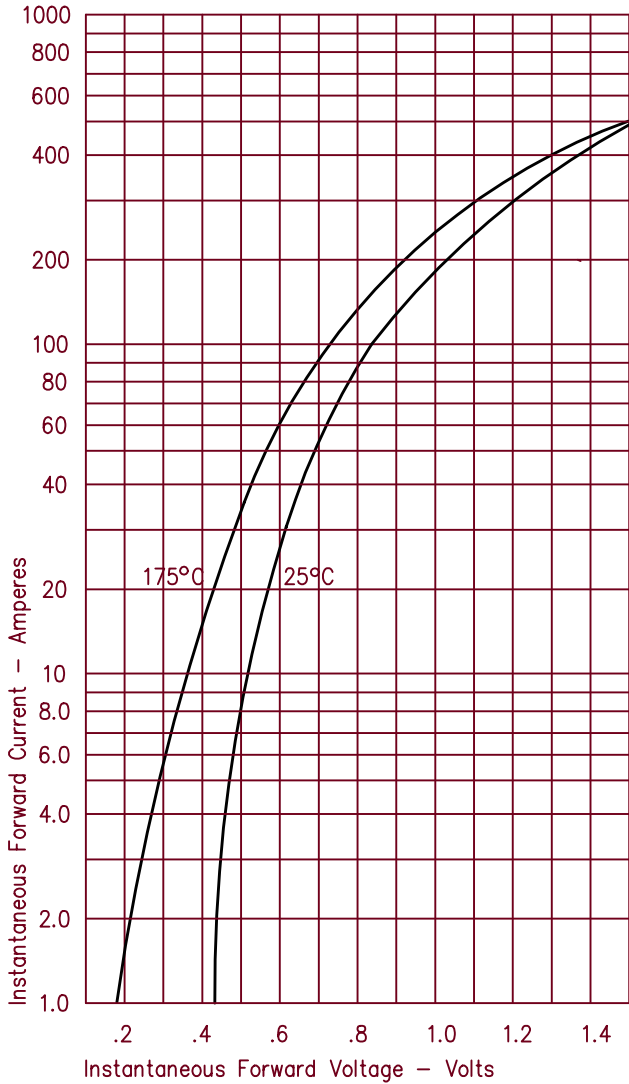


Figure 3
Typical Junction Capacitance

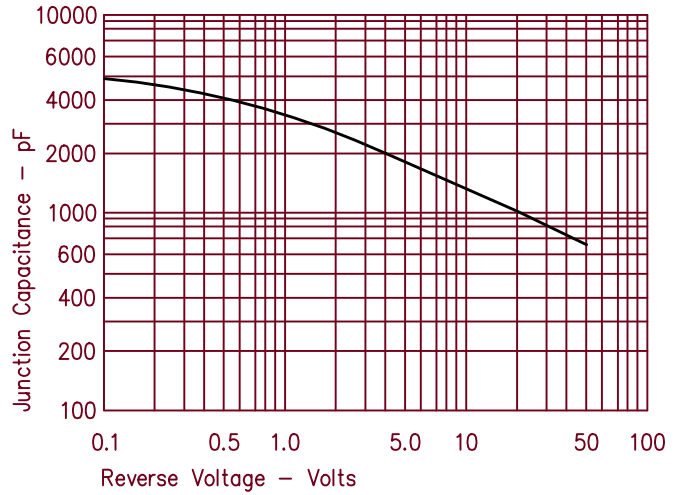


Figure 4
Forward Current Derating - Standard Polarity

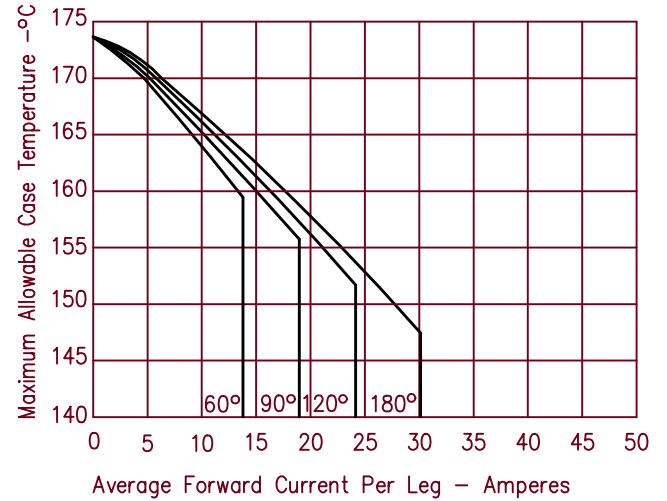


Figure 2
Typical Reverse Characteristics

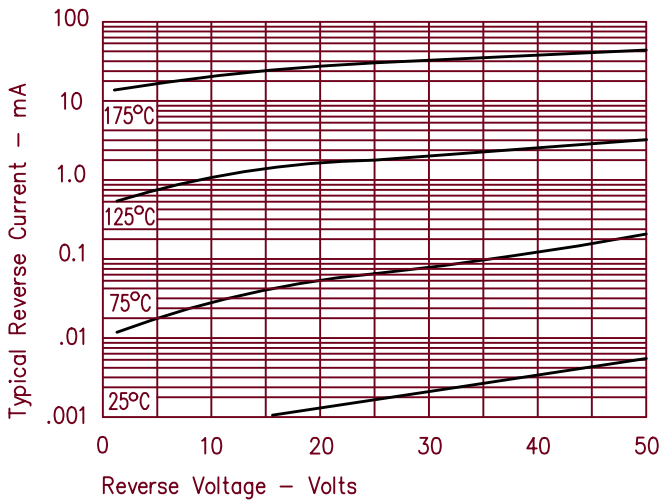


Figure 5
Maximum Forward Power Dissipation - Standard Polarity

